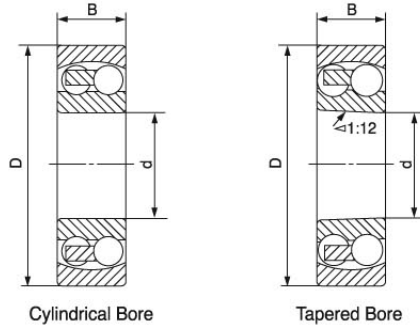
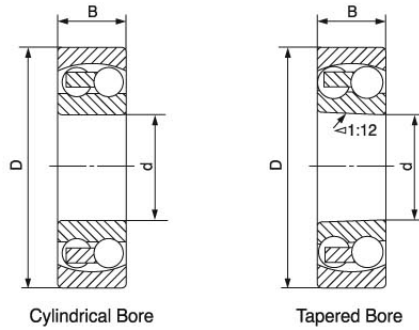


Dimension			Bearing Number		Load Rating		Limiting Speed		Mass
d	D	B	Cylindrical Bore	Tapered Bore	Dynamic Cr	Static Cor	Grease (rpm)	Oil (rpm)	Approx (kg)
mm	mm	mm			(N)	(N)			
5	19	6	135	-	2024	206	24000	28800	0.01
6	19	6	126	-	2024	206	24000	28800	0.01
7	22	7	127	-	2200	480	20800	25600	0.01
8	22	7	108	-	2200	480	20800	25600	0.02
9	26	8	129	-	3320	340	20800	24000	0.02
10	30	9	1200	-	4400	952	17600	22400	0.03
10	30	14	2200	-	5960	1272	19200	22400	0.05
10	35	11	1300	-	5880	1296	16000	19200	0.06
10	35	17	2300	-	7360	1608	14400	17600	0.08
12	32	10	1201	-	4560	1016	17600	20800	0.04
12	32	14	2201	-	6200	1384	17600	20800	0.05
12	37	12	1301	-	7720	1728	14400	17600	0.07
12	37	17	2301	-	9680	2184	13600	17600	0.08
15	35	11	1202	-	6080	1400	14400	17600	0.05
15	35	14	2202	-	6240	1480	14400	17600	0.06
15	42	13	1302	-	7760	1832	12800	16000	0.09
15	42	17	2302	-	9840	2328	11200	14400	0.11
17	40	12	1203	-	6400	1608	12800	16000	0.07
17	40	16	2203	-	7960	1936	12800	16000	0.09
17	47	14	1303	-	10160	2560	11200	13600	0.13
17	47	19	2303	-	11760	2840	10400	12800	0.15
20	47	14	1204	K	8000	2088	11200	13600	0.12
20	47	18	2204	K	10240	2640	11200	13600	0.13
20	52	15	1304	K	100800	2680	9600	12000	0.16
20	52	21	2304	K	14800	3760	8800	11200	0.19
25	52	15	1205	K	9760	2640	9600	11200	0.14
25	52	18	2205	K	9920	2760	9600	11200	0.16
25	62	17	1305	K	14560	4000	8000	10400	0.26
25	62	24	2305	K	17520	5280	7600	9600	0.32
30	62	16	1206	K	12640	3720	8000	9600	0.22
30	62	20	2206	K	12240	3640	8000	9600	0.25
30	72	19	1306	K	17120	5040	6800	8800	0.39
30	72	27	2306	K	25600	7000	6400	8000	0.48



Dimension			Bearing Number		Load Rating		Limiting Speed		Mass
d	D	B	Cylindrical Bore	Tapered Bore	Dynamic Cr	Static Cor	Grease (rpm)	Oil (rpm)	Approx (kg)
mm	mm	mm			(N)	(N)			
35	72	17	1207	K	12720	4080	6800	8000	0.32
35	72	23	2207	K	17360	5280	6800	8000	0.38
35	80	21	1307	K	20240	6280	6000	7600	0.51
35	80	31	2307	K	32000	9040	5680	7200	0.64
40	80	18	1208	K	15440	5200	6000	7200	0.42
40	80	23	2208	K	17920	5880	6000	7200	0.48
40	90	23	1308	K	23840	7760	5360	6800	0.72
40	90	33	2308	K	36400	10800	5040	6400	0.89
45	85	19	1209	K	17600	5880	5680	6800	0.47
45	85	23	2209	K	18640	6520	5680	6800	0.52
45	100	25	1309	K	30800	10160	4800	6000	0.96
45	100	36	2309	K	44000	13360	4480	5680	1.20
50	90	20	1210	K	18240	6480	5040	6400	0.53
50	90	23	2210	K	18640	6760	5040	6400	0.56
50	110	27	1310	K	34800	11280	4480	5360	1.20
50	110	40	2310	K	52000	16160	4000	50400	1.58
55	100	21	1211	K	21520	8000	4800	5680	0.71
55	100	25	2211	K	21360	7920	4800	5680	0.75
55	120	29	1311	K	41200	14320	4000	5040	1.60
55	120	43	2311	K	61200	19200	3840	4800	2.03
60	110	22	1212	K	24400	9200	4240	5040	0.90
60	110	28	2212	K	27200	10080	4240	5040	1.03
60	130	31	1312	K	46000	16640	3600	4480	2.03
60	130	46	2312	K	70800	22640	3440	4240	2.57
65	120	23	1213	K	24800	10000	3840	4800	1.15
65	120	31	2213	K	34800	13120	3840	4800	1.40
65	140	33	1313	K	50000	18320	3440	4240	2.54
65	140	48	2313	K	77600	26000	3040	3840	3.20
70	125	24	1214	K	28000	11040	3840	4480	1.30
70	125	31	2214	K	35200	13680	3600	4480	1.52
70	150	35	1314	K	60000	22160	3200	4000	3.19
70	150	51	2314	K	88800	30000	2880	3600	3.90



Dimension			Bearing Number		Load Rating		Limiting Speed		Mass
d	D	B	Cylindrical Bore	Tapered Bore	Dynamic Cr	Static Cor	Grease (rpm)	Oil (rpm)	Approx (kg)
mm	mm	mm			(N)	(N)			
75	130	25	1215	K	31200	12560	3440	4240	1.41
75	130	31	2215	K	35600	14240	3440	4240	1.60
75	160	37	1315	K	64000	24000	3040	3600	3.65
75	160	55	2315	K	100000	34400	2720	3440	4.77
80	140	26	1216	K	32000	13600	3200	4000	1.73
80	140	33	2216	K	39200	15920	3200	4000	2.00
80	170	39	1316	K	71200	26400	2880	3440	4.31
80	170	58	2316	K	104000	36000	2560	3200	5.54
85	150	28	1217	K	39600	16640	3040	3600	2.09
85	150	36	2217	K	46800	18880	3040	3840	2.48
85	180	41	1317	K	78800	30400	2720	3200	5.13
90	160	30	1218	K	46000	18800	2880	3440	2.55
90	160	40	2218	K	56400	22960	2880	3440	3.13
90	190	43	1318	K	93600	35600	2560	3040	5.94

NB: Brass Cage for 2300 series is available, contact NIS should you require brass cage.